

# Operating instructions



ATTIX 961-01  
ATTIX 963-21 ED XC  
ATTIX 965-21 SD XC



# Contents

<b>1</b>	<b>Important safety instructions</b>	.....	<b>2</b>
<b>2</b>	<b>Description</b>	2.1 Operating elements .....	<b>6</b>
		2.2 Operating panel.....	<b>7</b>
<b>3</b>	<b>Before starting the cleaner</b>	3.1 Assembling the vacuum cleaner.....	<b>8</b>
		3.1.1 Taking accessories out of the packaging.....	<b>8</b>
		3.1.2 Attaching the suction pipe holder to the suction pipe <sup>1)</sup> .....	<b>8</b>
		3.1.3 Inserting the filter bag (ATTIX 961-01) .....	<b>9</b>
		3.1.4 Inserting the disposal bag (ATTIX 965-21 SD XC).....	<b>10</b>
		3.1.5 Inserting the disposal bag (ATTIX 963-21 ED XC).....	<b>11</b>
<b>4</b>	<b>Control / Operation</b>	4.1 Connections .....	<b>12</b>
		4.1.1 Connecting the suction hose .....	<b>12</b>
		4.1.2 Electrical connection .....	<b>12</b>
		4.2 Switching on the vacuum cleaner.....	<b>12</b>
		4.2.1 Switch " I-O-II " <sup>1)</sup> .....	<b>12</b>
		4.2.2 Switch „ auto-0-I “ <sup>1)</sup> .....	<b>12</b>
		4.2.3 Suction power control <sup>1)</sup> .....	<b>13</b>
		4.2.4 Auto-On/Off-Operation - "auto" switch position <sup>1)</sup> .....	<b>13</b>
		4.3 Cleaning the filter element .....	<b>14</b>
		4.3.1 Cleaning the filter element (Push&Clean System) <sup>1)</sup> .....	<b>14</b>
		4.3.2 Cleaning the filter element " XtremeClean " (ATTIX 963-21 ED XC, ATTIX 965-21 SD XC) .....	<b>14</b>
<b>5</b>	<b>Applications and methods</b>	5.1 Techniques .....	<b>15</b>
		5.1.1 Picking up dry substances.....	<b>15</b>
		5.1.2 Picking up liquids.....	<b>15</b>
<b>6</b>	<b>After using the cleaner</b>	6.1 Switching the vacuum cleaner off and storage.....	<b>16</b>
<b>7</b>	<b>Maintenance</b>	7.1 Maintenance plan .....	<b>17</b>
		7.2 Maintenance work .....	<b>18</b>
		7.2.1 Emptying the dirt tank (ATTIX 961-01) .....	<b>18</b>
		7.2.2 Emptying the dirt tank (ATTIX 965-21 SD XC) .....	<b>19</b>
		7.2.3 Replacing the filter bag(ATTIX 961-01) .....	<b>20</b>
		7.2.4 Replacing the disposal bag (ATTIX 965-21 SD XC).....	<b>21</b>
		7.2.5 Replacing the disposal bag (ATTIX 963-21 ED XC).....	<b>22</b>
		7.2.6 Replacing filter element.....	<b>23</b>
<b>8</b>	<b>Troubleshooting</b>	.....	<b>24</b>
<b>9</b>	<b>Further information</b>	9.1 Recycling the vacuum cleaner .....	<b>25</b>
		9.2 Guarantee .....	<b>25</b>
		9.3 Tests and approvals.....	<b>25</b>
		9.4 EU Declaration of Conformity.....	<b>25</b>
		9.5 Technical data .....	<b>26</b>
		9.6 Optional accessories.....	<b>26</b>



# 1 Important safety instructions

## Symbols used to mark instructions



Prior to using the appliance for the first time, be sure to read this document through and keep it ready to hand.

	<b>DANGER</b>
	Danger that leads directly to serious or irreversible injuries, or even death.
	<b>WARNING</b>
	Danger that can lead to serious injuries or even death.
	<b>CAUTION</b>
	Danger that can lead to minor injuries and damage.

The appliance must

- only be used by persons, who have been instructed in its correct usage and explicitly commissioned with the task of operating it
- only be operated under supervision
- This machine is not intended for use by persons (including children) with reduced physical, sensory or mental capabilities, or lack of experience and knowledge.
- Children shall be supervised to make sure that they do not play with the appliance.

1. Do not use any unsafe work techniques.
2. Never use the vacuum cleaner without a filter.
3. Switch off the appliance and disconnect the mains plug in the following situations:
  - Prior to cleaning and servicing
  - Prior to replacing components
  - If foam develops or liquid emerges

Besides the operating instructions and the binding accident prevention regulations valid in the country of use, observe recognised regulations for safety and proper use.

## Purpose and intended use

The appliance is suitable for picking up dry, non-flammable dust and liquids.

Do not use the ATTIX 963-21 ED XC to pick up liquids.

The appliance is suitable for commercial use, such as e.g. in

- Hotels
- Schools
- Hospitals
- Factories
- Shops
- Offices
- Hire shops



Any other use is considered as improper use. The manufacturer accepts no liability for any damage resulting from such use. The risk for such use is borne solely by the user.

Proper use also includes proper operation, servicing and repairs as specified by the manufacturer.

### Transport

1. Before transporting the dirt tank, close all the locks.
2. Do not tilt the cleaner if there is liquid in the dirt tank.
3. Do not use a crane hook to lift the cleaner.

### Storage

1. Store the appliance in a dry place, protected from frost.

### Electrical connection

1. It is recommended that the vacuum cleaner should be connected via a residual current circuit breaker.
2. Arrange the electrical parts (sockets, plugs and couplings) and lay down the extension lead so that the protection class is maintained.
3. Connectors and couplings of power supply cords and extension leads must be watertight.

### Extension lead

1. As an extension lead, only use the version specified by the manufacturer or one of a higher quality. See operating instructions.
2. When using an extension lead, check the minimum cross-sections of the cable:

Cable length	Cross section	
	< 16 A	< 25 A
up to 20 m	1.5 mm <sup>2</sup>	2.5 mm <sup>2</sup>
20 to 50 m	2.5 mm <sup>2</sup>	4.0 mm <sup>2</sup>





### Guarantee

Our general conditions of business are applicable with regard to the guarantee.


Unauthorised modifications to the appliance, the use of incorrect brushes in addition to using the appliance in a way other than for the intended purpose exempt the manufacturer from any liability for the resulting damage.

# EN Risks


## Electrical components

	<p style="text-align: center;"><b>DANGER</b></p> <p>Electric shock due to faulty mains connecting lead. Touching a faulty mains connecting lead can result in serious or even fatal injuries.</p> <ol style="list-style-type: none"> <li>1. Do not damage the mains power lead (e.g. by driving over it, pulling or crushing it).</li> <li>2. Regularly check whether the power cord is damaged or shows signs of ageing.</li> <li>3. Have the faulty mains connecting lead replaced by your Nilfisk-Alto service representative or a qualified electrician prior to using the appliance again.</li> </ol>
	<p style="text-align: center;"><b>DANGER</b></p> <p>The upper section of the vacuum cleaner contains live components. Contact with live components leads to serious or even fatal injuries.</p> <ol style="list-style-type: none"> <li>1. Never spray water on to the upper section of the vacuum cleaner.</li> </ol>
	<p style="text-align: center;"><b>CAUTION</b></p> <p>Appliance socket <sup>1)</sup> The appliance socket is only designed for the purposes defined in the operating instructions.</p> <ol style="list-style-type: none"> <li>1. The connection of different appliances can result in damage.</li> <li>2. Prior to plugging in an appliance, always switch off the vacuum cleaner and the appliance that is to be connected.</li> <li>3. Read the operating instructions to the appliance to be connected and observe the safety notes contained in these.</li> </ol>
	<p style="text-align: center;"><b>CAUTION</b></p> <p>Damage due to unsuitable mains voltage. The appliance can be damaged as a result of being connected to an unsuitable mains voltage.</p> <ol style="list-style-type: none"> <li>1. Ensure that the voltage shown on the rating plate corresponds to the voltage of the local mains power supply.</li> </ol>


**Picking up liquids**

<b>CAUTION</b>	
	<p>Picking up liquids.</p> <p>ATTIX 965-21 SD XC: Due to their construction vacuum cleaners with a removable tank (SD) do not have an automatic level indicator. There is a risk of damage to the vacuum cleaner due to overfilling or of damage due to leakage of the picked up liquid.</p> <ol style="list-style-type: none"> <li>1. Never pick up more than 40 litres at once.</li> <li>2. Switch off the vacuum cleaner and empty the dirt tank.</li> </ol>


**Hazardous materials**

<b>WARNING</b>	
	<p>Hazardous materials.</p> <p>Vacuuuming up hazardous materials can lead to serious or even fatal injuries</p> <ol style="list-style-type: none"> <li>1. The following materials must not be picked up by the vacuum cleaner: <ul style="list-style-type: none"> <li>- hazardous dust</li> <li>- hot materials (burning cigarettes, hot ash, etc.)</li> <li>- flammable, explosive, aggressive liquids (e.g. petrol, solvents, acids, alkalis, etc.)</li> <li>- flammable, explosive dust (e.g. magnesium or aluminium dust, etc.)</li> </ul> </li> </ol>

**Spare parts and accessories**

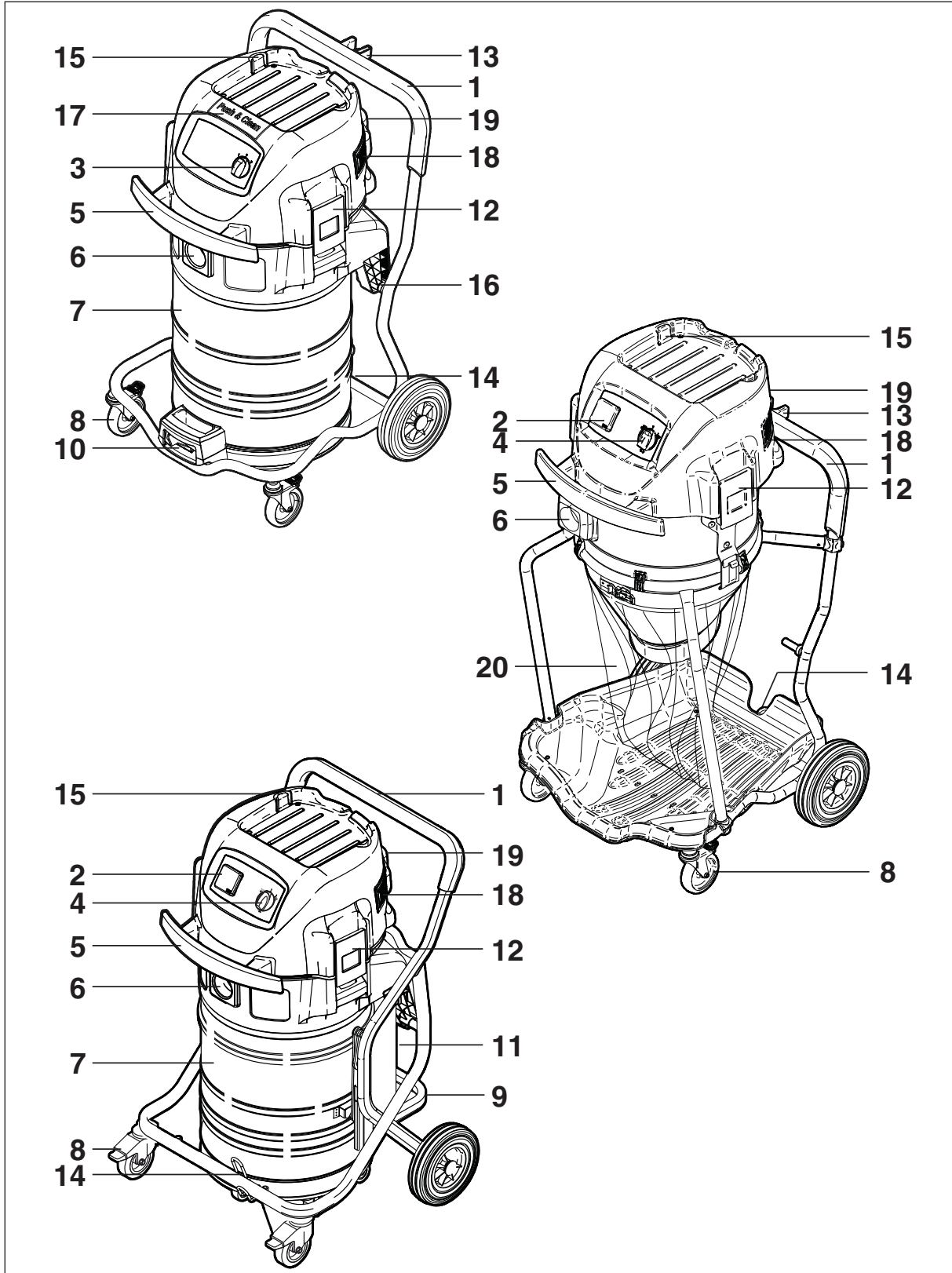
<b>CAUTION</b>	
	<p>Spare parts and accessories.</p> <p>The use of non-genuine spare parts and accessories can impair the safety of the appliance.</p> <ol style="list-style-type: none"> <li>1. Only use spare parts and accessories from Nilfisk-Alto.</li> <li>2. Use only the brushes supplied with the vacuum cleaner or specified in the operating manual.</li> </ol>

**Emptying dirt tank**

<b>CAUTION</b>	
	<p>Picking up environmentally hazardous materials.</p> <p>Materials picked up can present a hazard to the environment.</p> <ol style="list-style-type: none"> <li>1. Dispose of the dirt in accordance with legal regulations.</li> </ol>

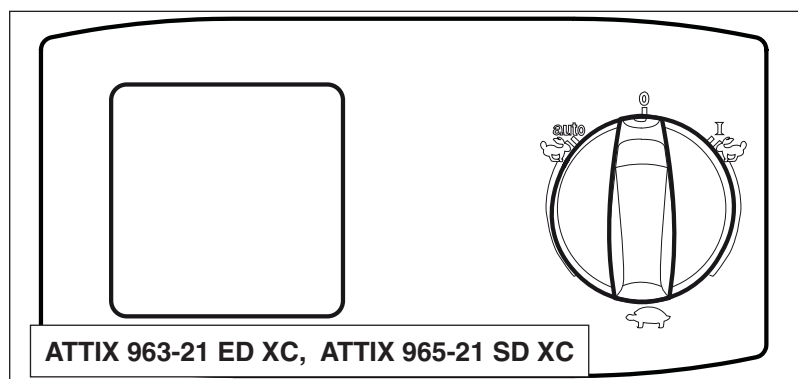
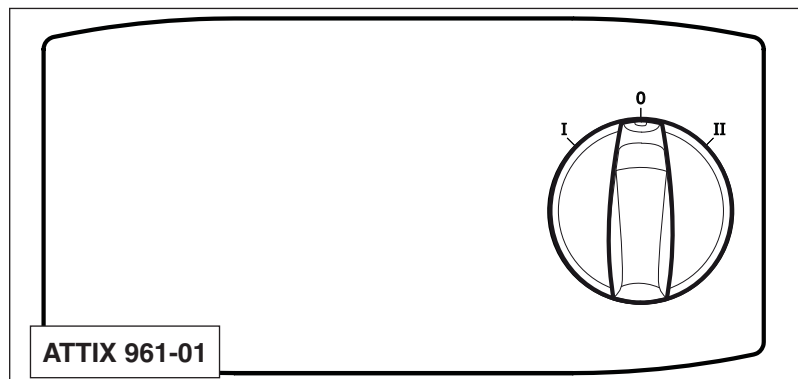
# EN 2 Description

## 2.1 Operating elements



- 1 Handle
- 2 Appliance socket <sup>1)</sup>
- 3 Appliance switch "I-0-II" <sup>1)</sup>
- 4 Appliance switch with suction power control 'auto-0-I' <sup>1)</sup>
- 5 Receptacle for electrical lead
- 6 Inlet fitting
- 7 Dirt tank
- 8 Castor with brake
- 9 Swivel bar to remove dirt tank <sup>1)</sup>
- 10 Grip to empty tank <sup>1)</sup>
- 11 Handle to remove dirt tank <sup>1)</sup>
- 12 Retaining clamp
- 13 Suction pipe support <sup>1)</sup>
- 14 Bracket for floor nozzle <sup>1)</sup>
- 15 Accessory holder
- 16 Clamps and hinges for dirt tank <sup>1)</sup>
- 17 Operating knob for filter cleaning <sup>1)</sup>
- 18 Inlet for fresh air
- 19 Outlet for waste air
- 20 Disposal bag

## 2.2 Operating panel



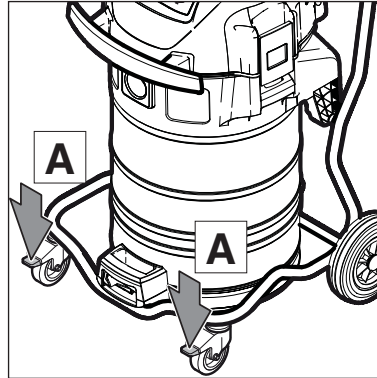
<sup>1)</sup> Optional accessories / Option depending on model  
Original Instructions



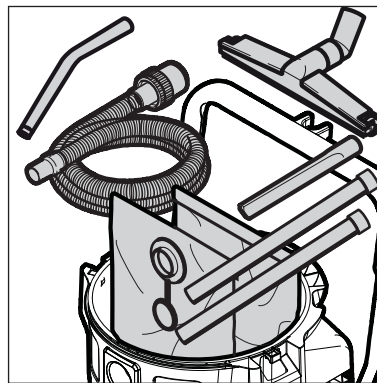
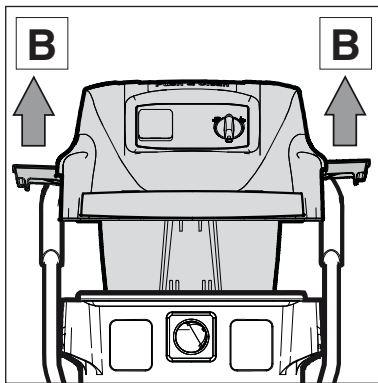
## EN 3 Before starting the cleaner

### 3.1 Assembling the vacuum cleaner

#### 3.1.1 Taking accessories out of the packaging

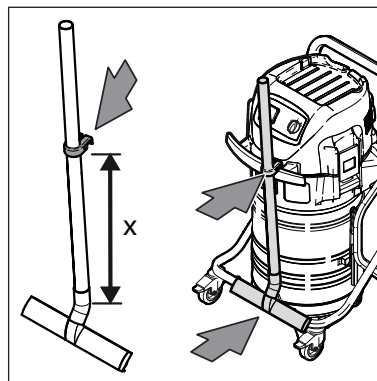


1. Take vacuum cleaner and accessories out of the packaging.
2. The mains plug should not yet be inserted into a socket.
3. Apply parking brakes (A) on both castors.



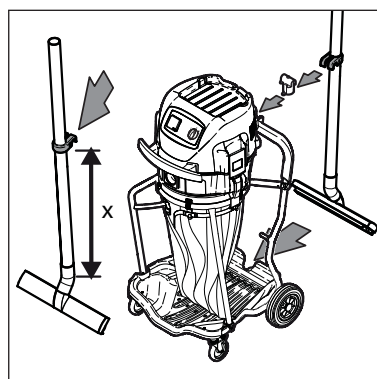
4. Open the retaining clamps (B) and remove the upper section of the vacuum cleaner.
5. Take the accessories <sup>1)</sup> out of the dirt tank and the packaging.

#### 3.1.2 Attaching the suction pipe holder to the suction pipe <sup>1)</sup>

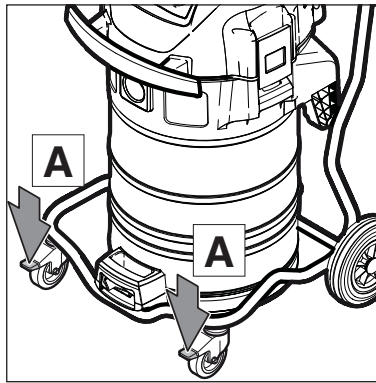


1. Attach the suction pipe holder to the suction pipe.

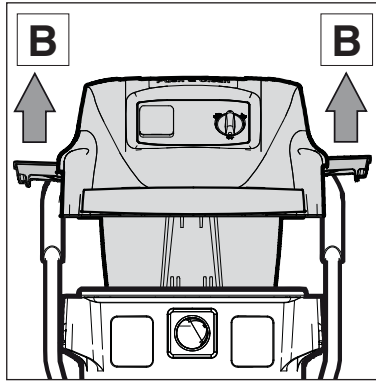
Accessory diameter	Distance (x) from pivot joint to the floor nozzle cm
38	52
50	47



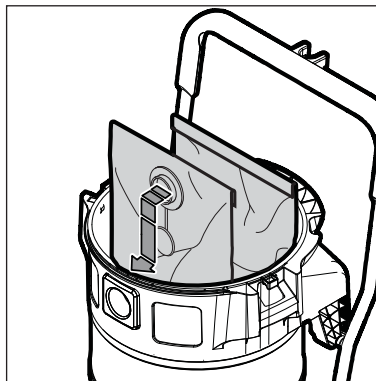
### 3.1.3 Inserting the filter bag (ATTIX 961-01)



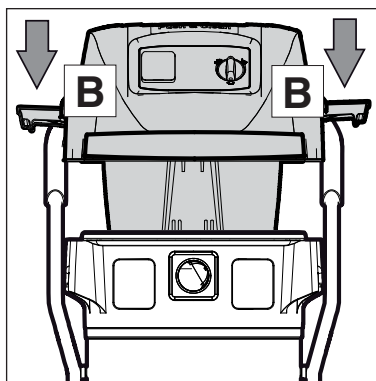
1. The mains plug should not yet be inserted into a socket.
2. Apply parking brakes (A) on both castors.



3. Open the retaining clamps (B) and remove the upper section of the vacuum cleaner.



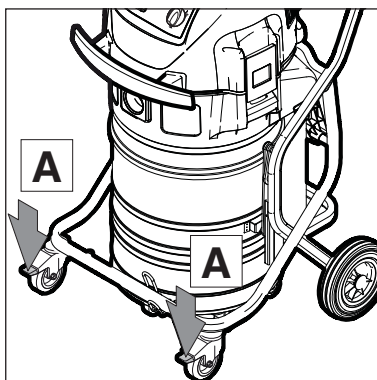
4. Insert the filter bag (C) in the dirt tank.



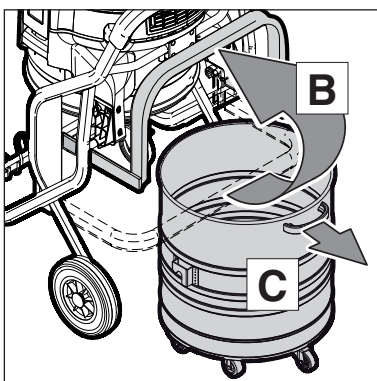
5. Attach the upper section of the vacuum cleaner.
6. Close the retaining clamps (B). Ensure that the retaining clamps fit properly.

EN

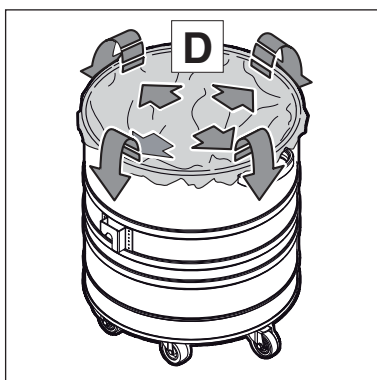
### 3.1.4 Inserting the disposal bag (ATTIX 965-21 SD XC)



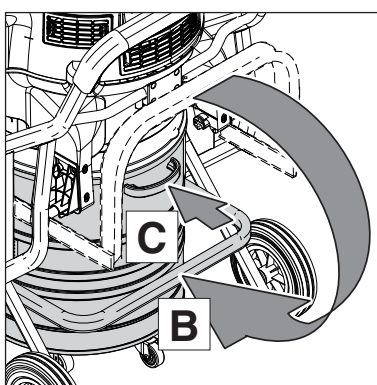
1. The mains plug should not yet be inserted into a socket.
2. Apply parking brakes (A) on both castors.



3. Swing the bar (B) upwards.
4. Use the handle (C) to pull the dirt tank out of the vacuum cleaner.

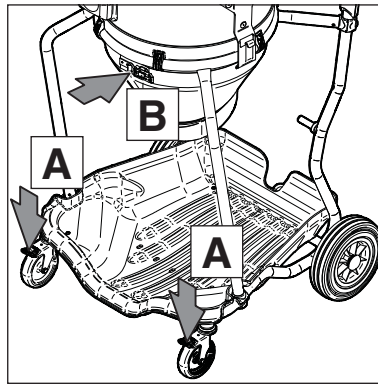


5. Insert the disposal bag (D) in the dirt tank.
6. Fold the top edge of the disposal bag over the rim of the dirt tank.



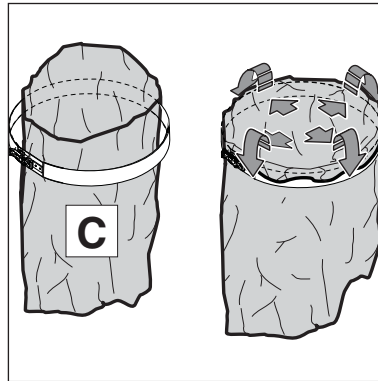
7. Push the dirt tank as far as possible into the vacuum cleaner.
8. Swing the bar (B) downwards without forcing it.

### 3.1.5 Inserting the disposal bag (ATTIX 963-21 ED XC)

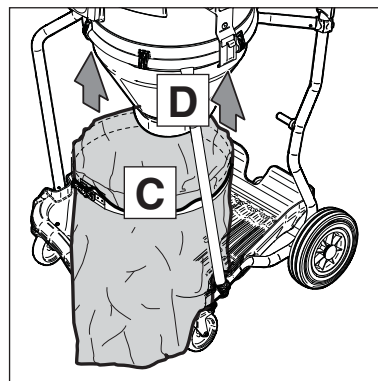


1. The mains plug should not yet be inserted into a socket.
2. Apply parking brakes (A) on both castors.
3. Open clamping ring (B).

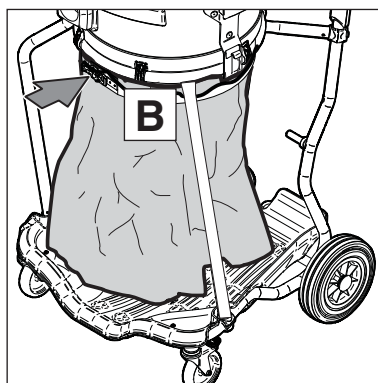
EN



4. Insert disposal bag (C) into clamping ring.
5. Fold the top edge of the disposal bag over the rim of the clamping ring.



6. Attach the new disposal bag (C) onto the storage container (D).

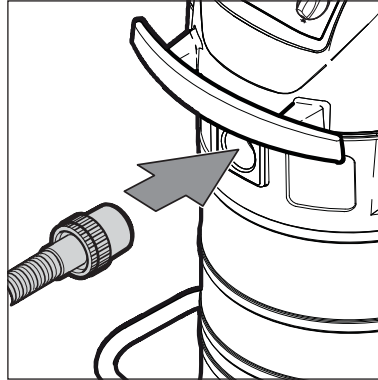


7. Close clamping ring (B).

# EN 4 Control / Operation

## 4.1 Connections

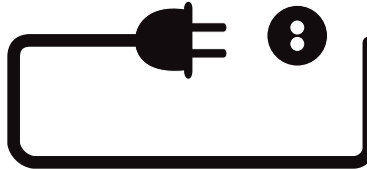
### 4.1.1 Connecting the suction hose



1. Connect the suction hose.

### 4.1.2 Electrical connection

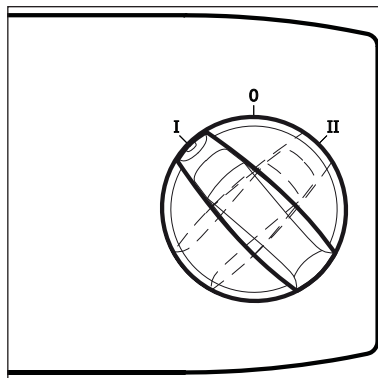
The operating voltage shown on the rating plate must correspond to the voltage of the mains power supply.



1. Ensure that the cleaner is switched off.
2. Insert the power cord into a properly installed and fused socket with earthing contact.

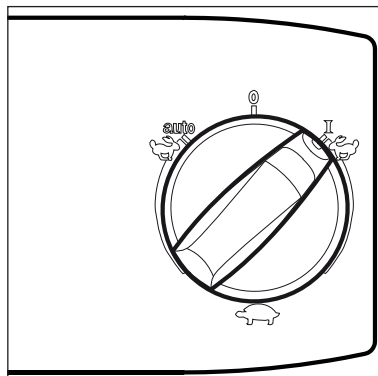
## 4.2 Switching on the vacuum cleaner

### 4.2.1 Switch " I-0-II " <sup>1)</sup>



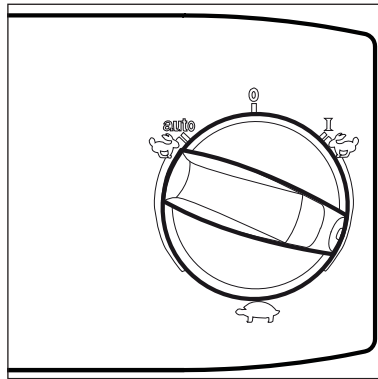
Switch position	Function
I	Reduced suction
0	Off
II	Maximum suction


### 4.2.2 Switch „ auto-0-I “ <sup>1)</sup>



Switch position	Function
I	Maximum suction

### 4.2.3 Suction power control <sup>1)</sup>



Switch position	Function
	The suction power control switch allows precise adaptation of the suction power for different cleaning tasks.

EN

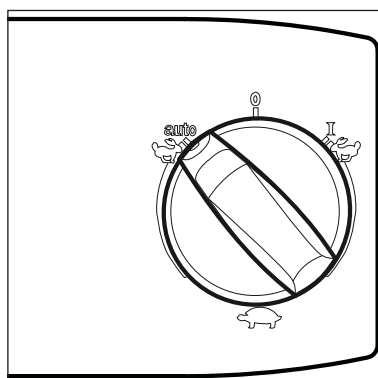
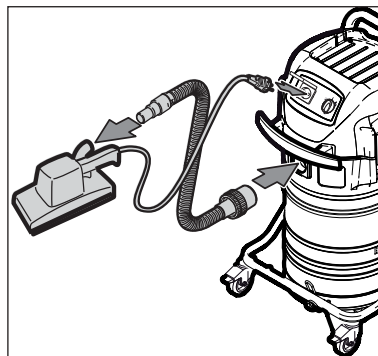
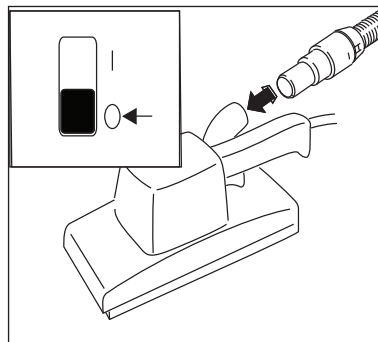
### 4.2.4 Auto-On/Off-Operation - "auto" switch position <sup>1)</sup>

The vacuum cleaner is switched on and off by the power tool connected. Dirt is picked up from the source of dust immediately.

To comply with regulations, only approved dust producing tools should be connected.

The maximum power consumption of the connected electrical appliance is stated in section 9.5 "Technical data".

Before switching the switch to position „auto“, ensure that the tool connected to the appliance socket is switched off.



1. Switch off the vacuum cleaner.
2. Switch off the power tool.
3. Connect the power tool and the vacuum cleaner with a suction hose.
4. Insert the plug of the power tool into the tool socket on the operating panel of the vacuum cleaner.
5. Switch on the vacuum cleaner. Switch in "auto" position.
6. Switch on the power tool. The vacuum cleaner motor starts when the connected power tool is switched on. When the power tool is switched off, the vacuum cleaner continues to run for a short moment so that any dust in the suction hose is conveyed to the filter bag.

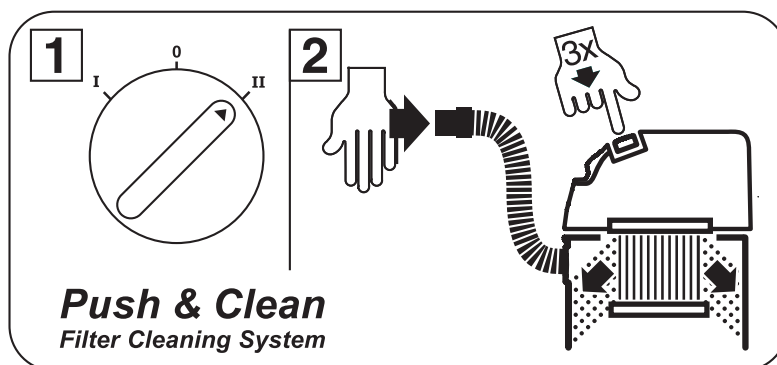
<sup>1)</sup> Optional accessories / Option depending on model  
Original Instructions

EN

### 4.3 Cleaning the filter element

#### 4.3.1 Cleaning the filter element (Push&Clean System)<sup>1)</sup>

Only for vacuum cleaning without a filter bag and without a cloth insert filter.

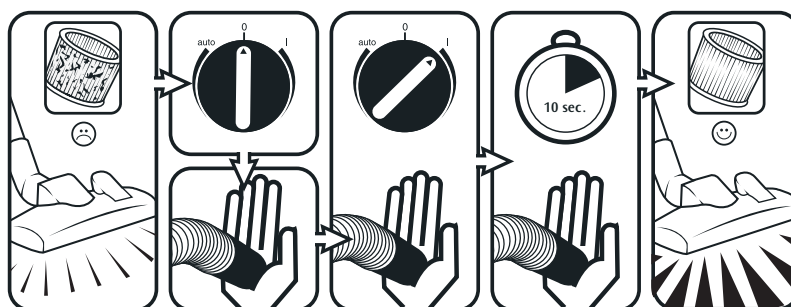


If suction performance drops:

1. Turn switch to position "II" (maximum suction power).
2. Close the nozzles or suction hose opening with the palm of your hand.
3. Press the button to start filter cleaning three times. The resulting stream of air removes attached dust from the slats of the filter elements.

#### 4.3.2 Cleaning the filter element " XtremeClean " (ATTIX 963-21 ED XC, ATTIX 965-21 SD XC)

Only for vacuum cleaning without a cloth insert filter.



To ensure that suction performance is always at its best, the filter element is automatically cleaned during operation. We recommend complete cleaning if the filter element becomes extremely dirty.

1. Switch off the vacuum cleaner
2. Close the nozzles or suction hose opening with the palm of your hand.
3. Turn the switch to position „I“ and let the cleaner operate for approx. 10 seconds with the suction hose opening closed.

# 5 Applications and techniques

## 5.1 Techniques

If used correctly, additional accessories, suction nozzles and suction hoses can enhance the cleaning action and reduce the cleaning effort.

Effective cleaning is achieved if you follow just a few guidelines in combination with your own practical experience in special fields.

Here are some basic tips.

### 5.1.1 Picking up dry substances

#### **CAUTION!**

Do not pick up flammable substances.

Before picking up dry substances, always ensure that a filter bag is inserted in the tank (see section 9.6 "Accessories" for order number). Disposal of the picked up material is then simple and hygienic.

After picking up liquids, the filter element is wet. A damp filter element clogs more quickly when dry substances are picked up. For this reason the filter element should be washed and dried or replaced by a dry element before dry substances are picked up.

### 5.1.2 Picking up liquids

#### **CAUTION!**

Do not pick up flammable liquids.

Do not use the ATTIX 963-21 ED XC to pick up liquids.

Before liquids are picked up, always remove the filter bag/disposal bag.

The use of a separate filter element or filter screen is recommended.

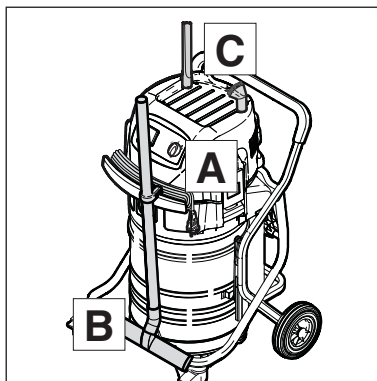
If foam appears, stop work immediately and empty the tank.

To reduce the amount of foam, use foam killer Alto Foam Stop (see section 9.6 "Accessories" for order number).



## **EN** 6 After finishing work

### 6.1 Switching the vacuum cleaner off and storage



1. Switch off the cleaner and pull the mains plug out of the socket.
2. Wind up the power cord and hang it on the handle (A). Begin winding up the cord at the cleaner end and not the plug end to prevent the power cord from tangling up.
3. Empty the dirt tank and clean the vacuum cleaner.
4. After picking up liquids: Store the upper section of the vacuum cleaner separately so that the filter element can dry.
5. Hang the suction hose with the floor nozzle (B) in the brackets and pack the accessories (C) away.
6. Store the cleaner in a dry room where it is protected from unauthorized use.

# 7 Maintenance

## 7.1 Maintenance plan

### ATTIX 961-01:

		After finishing work	When required
7.2.1	Emptying dirt tank	●	
7.2.3	Replacing the filter bag		●
7.2.6	Replacing filter element		●

### ATTIX 965-21 SD XC:

		After finishing work	When required
7.2.2	Emptying dirt tank	●	
7.2.4	Replacing the disposal bag		●
7.2.6	Replacing filter element		●

### ATTIX 963-21 ED XC:

		After finishing work	When required
7.2.5	Replacing the disposal bag		●
7.2.6	Replacing filter element		●

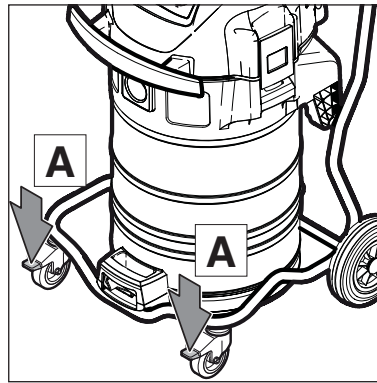


**7.2 Maintenance work**  
**7.2.1 Emptying the dirt tank**  
**(ATTIX 961-01)**

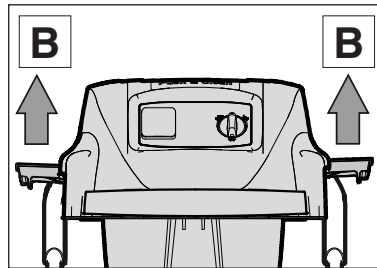
*After emptying the tank: clean the rim of the tank and the seals in the intermediate ring and the upper section of cleaner before refitting them.*

*If the seal or groove is dirty or damaged, the suction performance will be reduced.*

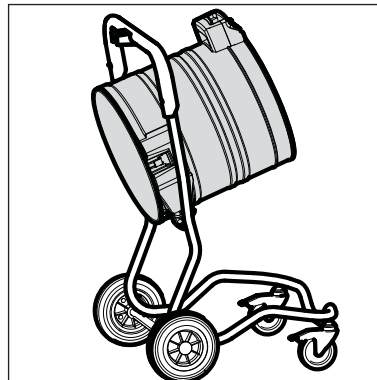
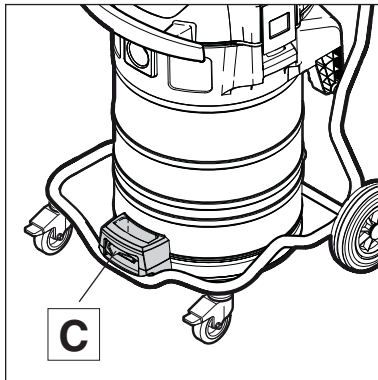
*Before reinserting the suction hose: clean the inlet fitting and hose collar.*



1. Switch off the vacuum cleaner and pull the mains plug out of the socket.
2. Apply parking brakes (A) on both castors.

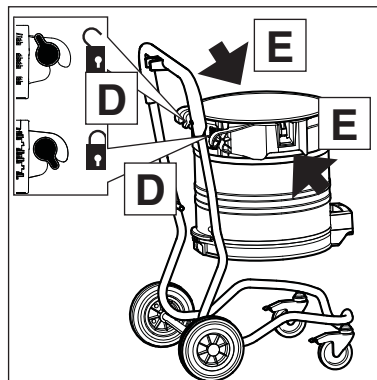


3. Open the retaining clamps (B) and remove the upper section of the vacuum cleaner.



**Tilting the dirt tank:**

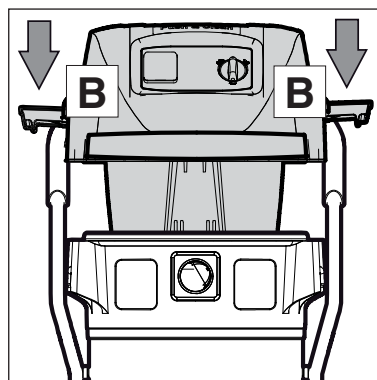
4. Pull the lever in the handle (C) upwards and tilt the tank.
5. Tip out the collected dirt.
6. Dispose of the dirt in accordance with legal regulations.



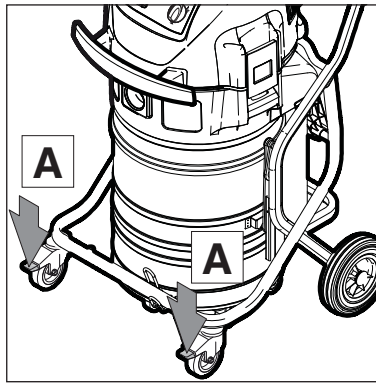
or

**Removing the dirt tank:**

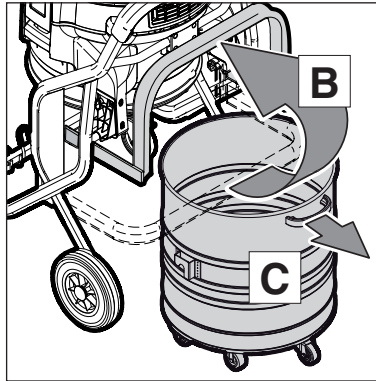
4. Open the tank locks (D).
5. Use the handles (E) to lift the tank out of the frame.
6. Tip out the collected dirt.
7. Dispose of the dirt in accordance with legal regulations.
8. Place the empty tank in the frame and close the locks (D).
9. Attach the upper section of the vacuum cleaner.
10. Close the retaining clamps (B). Ensure that the retaining clamps fit properly.



## 7.2.2 Emptying the dirt tank (ATTIX 965-21 SD XC)

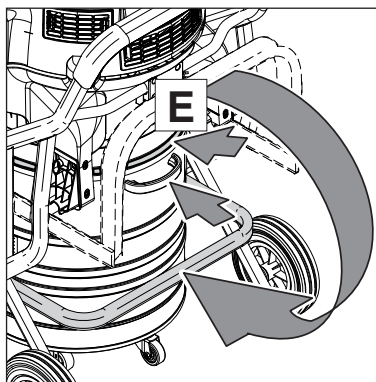
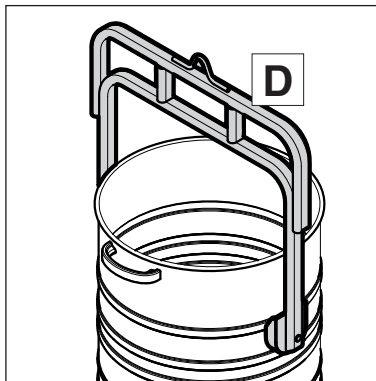


1. Switch off the vacuum cleaner and pull the mains plug out of the socket.
2. Apply parking brakes (A) on both castors.



### Removing the dirt tank:

3. Swing the bar (B) upwards.
4. Use the handle (C) to pull the dirt tank out of the vacuum cleaner.
5. Tipping out the collected dirt: **WARNING!** If heavy dirt has been picked up, never lift the dirt tank alone. Use the FORKLIFT (D), which is available as an accessory.
6. Use a crane or fork lift truck to position the FORKLIFT above the dirt tank.
7. Attach the tank to the accessory.
8. Dispose of the dirt in accordance with legal regulations.



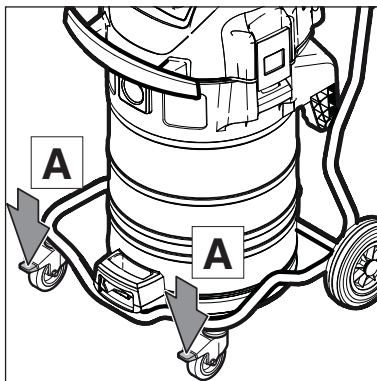
### Inserting the dirt tank:

9. Clean the dirt tank.
10. Check the seals (E) between the tank and the upper section of the vacuum cleaner.
11. Push the dirt tank as far as possible into the vacuum cleaner.
12. Swing the bar (B) downwards without forcing it.

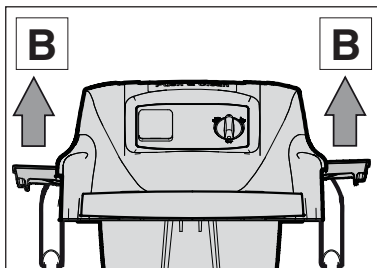
EN

### 7.2.3 Replacing the filter bag (ATTIX 961-01)

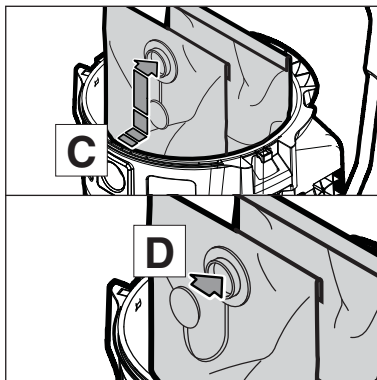
If the filter bag has heavy dirt, remove the bag by tilting the tank. See Section 7.2.1.



1. Switch off the vacuum cleaner and pull the mains plug out of the socket.
2. Apply parking brakes (A) on both castors.

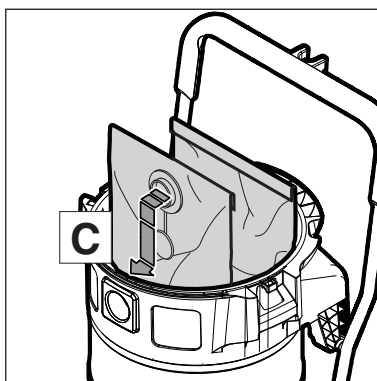


3. Open the retaining clamps (B) and remove the upper section of the vacuum cleaner.



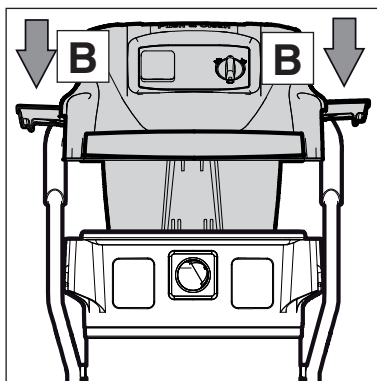
#### Removing the filter bag:

4. Carefully remove the filter bag connection from the inlet fitting (C).
5. Close the filter bag connection (1) with the hinged lid.
6. Dispose of the filter bag in accordance with legal regulations.



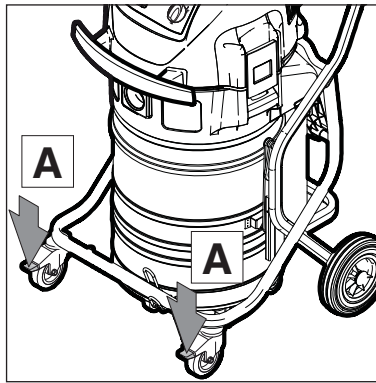
#### Inserting the filter bag:

7. Clean the dirt tank.
8. Insert the filter bag in the dirt tank.
9. Press the bush of the new filter bag firmly on to the inlet fitting (C).



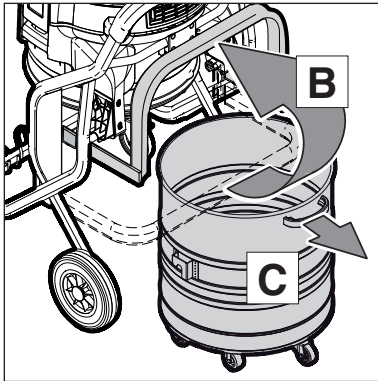
10. Attach the upper section of the vacuum cleaner.
11. Close the retaining clamps (B). Ensure that the retaining clamps fit properly.

### 7.2.4 Replacing the disposal bag (ATTIX 965-21 SD XC)



1. Switch off the vacuum cleaner and pull the mains plug out of the socket.
2. Apply parking brakes (A) on both castors.

EN

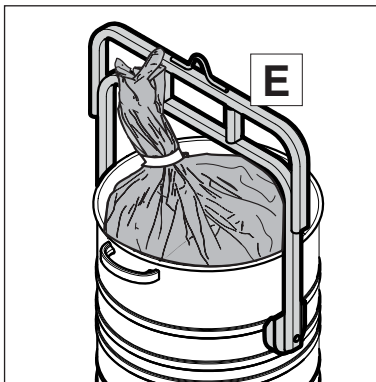


#### Removing the disposal bag:

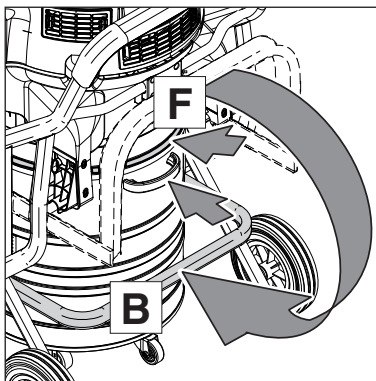
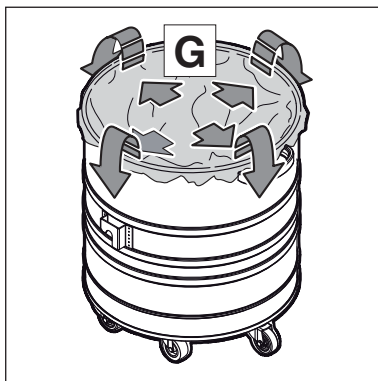
3. Swing the bar (B) upwards.
4. Use the handle (C) to pull the dirt tank out of the vacuum cleaner.
5. Close the disposal bag with string (D) and remove it from the dirt tank.

#### WARNING!

If heavy dirt has been picked up, never lift the dirt tank alone. Use the FORKLIFT (E), which is available as an accessory.



6. Use a crane or fork lift truck to position the FORKLIFT (E) above the dirt tank.
7. Attach the tank to the accessory.
8. Dispose of the dirt in accordance with legal regulations.

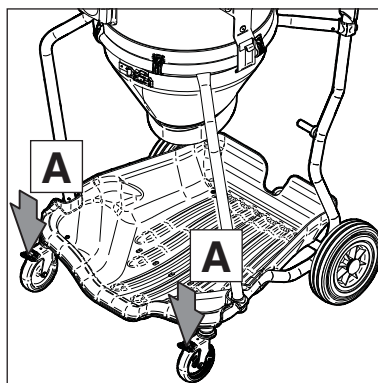


#### Inserting the disposal bag:

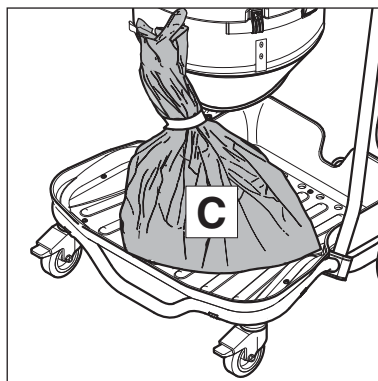
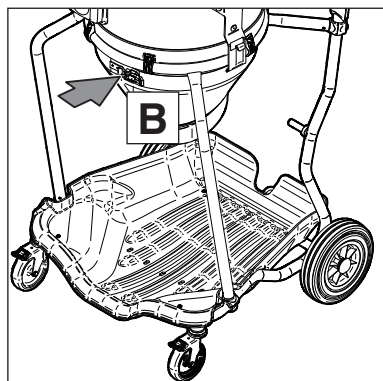
9. Clean the dirt tank.
10. Check the seals (F) between the tank and the upper section of the vacuum cleaner.
11. Insert the disposal bag (G) in the dirt tank.
12. Fold the top edge of the disposal bag over the rim of the dirt tank.
13. Push the dirt tank as far as possible into the vacuum cleaner.
14. Swing the bar (B) downwards without forcing it.

EN

### 7.2.5 Replacing the disposal bag (ATTIX 963-21 ED XC)

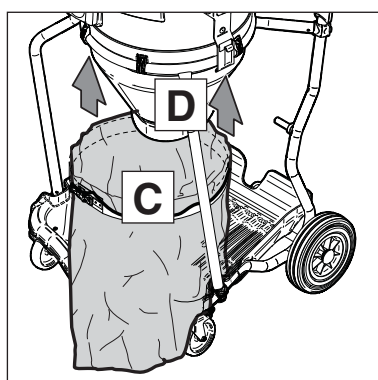
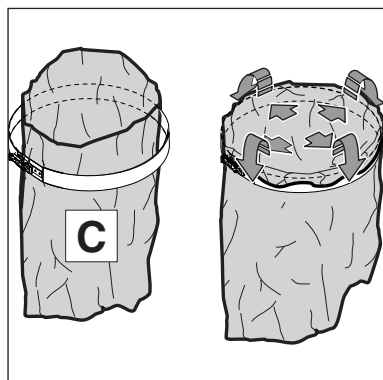


1. Switch off the vacuum cleaner and pull the mains plug out of the socket.
2. Apply parking brakes (A) on both castors.



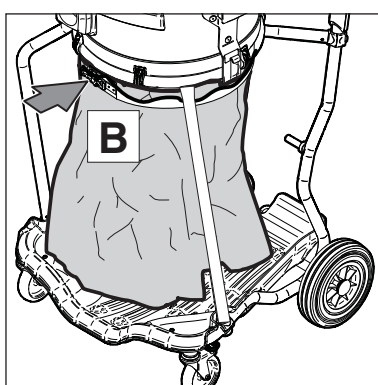
#### Remove the disposal bag:

3. Open clamping ring (B).
4. Detach the disposal bag (C) from the storage container and seal it.
5. Dispose of the dirt in accordance with legal regulations.



#### Inserting the disposal bag:

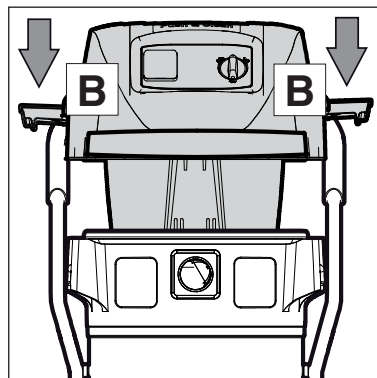
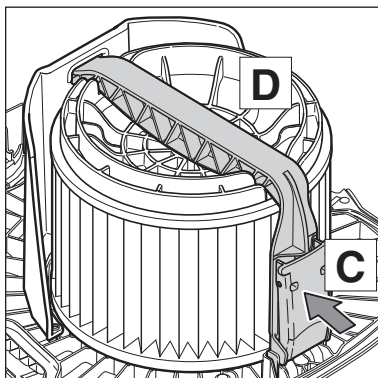
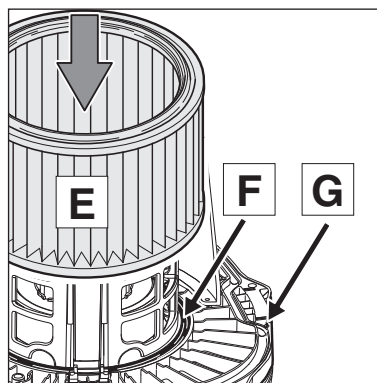
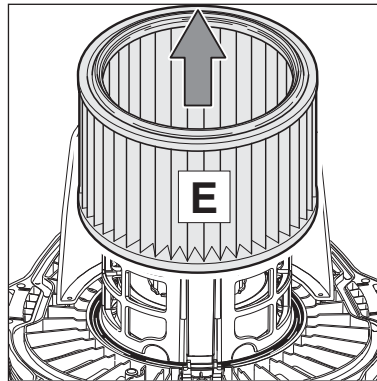
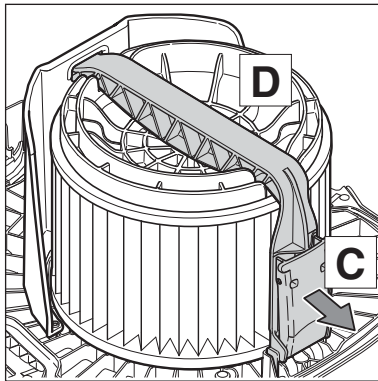
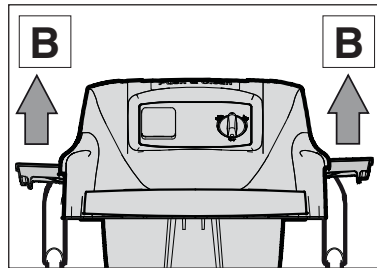
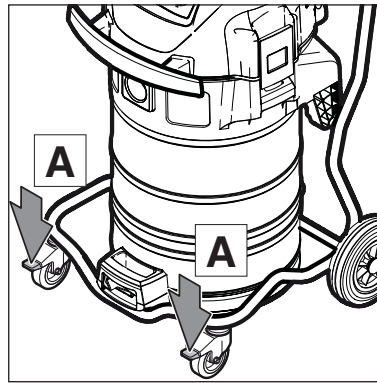
1. Insert disposal bag (C) into clamping ring.
2. Fold the top edge of the disposal bag over the rim of the clamping ring.
3. Attach the new disposal bag (C) onto the storage container (D).



4. Close clamping ring (B).

## 7.2.6 Replacing filter element

*Never use the vacuum cleaner without a filter.*



1. Switch off the vacuum cleaner and pull the mains plug out of the socket.
2. Apply parking brakes (A) on both castors.

EN

3. Open the retaining clamps (B) and remove the upper section of the vacuum cleaner.

### Removing the filter element:

4. Lay the upper section of the cleaner down with the filter element facing upwards.
5. Open the bar handle (C) and remove it.
6. Remove the filter holder (D).
7. Carefully remove the filter element (E).
8. Dispose of the used filter element in accordance with legal regulations.

### Inserting the filter element:

9. Clean the filter seal (F). Check it for damage and replace it if necessary.
10. Check the antistatic pin (G) for damage. If necessary, have it replaced by Alto Service.
11. Push new filter element (E) onto the filter holder.
12. Attach filter holder (D).
13. Attach bar (C) and close.
14. Attach the upper section of the vacuum cleaner.
15. Close the retaining clamps (B). Ensure that the retaining clamps fit properly.



## EN 8 Troubleshooting

Fault	Cause	Remedy
‡ Motor does not start	<ul style="list-style-type: none"> <li>&gt; Fuse of the mains socket has blown.</li> <li>&gt; Overload protection switch has tripped.</li> <li>&gt; Motor is faulty.</li> </ul>	<ul style="list-style-type: none"> <li>• Connect mains fuse.</li> <li>• Switch off the vacuum cleaner and allow it to cool for approx. 5 minutes. If the cleaner cannot be started again, contact the Alto service department.</li> <li>• Have motor changed by Nilfisk-Alto Service.</li> </ul>
‡ Motor does not run in automatic mode <sup>1)</sup>	<ul style="list-style-type: none"> <li>&gt; Power tool/pneumatic tool is defective or not connected properly.</li> <li>&gt; The power rating of the electrical tool is too low.</li> </ul>	<ul style="list-style-type: none"> <li>• Check that the power tool works or that the plug is inserted correctly.</li> <li>• Note that minimum power rating is P&gt;40W</li> </ul>
‡ Reduced suction power	<ul style="list-style-type: none"> <li>&gt; Suction power selected with suction power control is too low.</li> <li>&gt; Clogged suction hose/nozzle.</li> <li>&gt; Tank, disposal bag or filter bag is full.</li> <li>&gt; Filter element is clogged.</li> <li>&gt; Seal between tank and upper section of vacuum cleaner is faulty or missing.</li> <li>&gt; Cleaning mechanism is defective.</li> </ul>	<ul style="list-style-type: none"> <li>• Set suction power in accordance with section „Setting suction power“.</li> <li>• Clean suction hose/nozzle</li> <li>• See "Emptying tank" or "Replacing disposal bag, filter bag" sections.</li> <li>• See section „Cleaning filter element“ and „Replacing filter element“.</li> <li>• Replace seal.</li> <li>• Contact Nilfisk-Alto Service.</li> </ul>
‡ No suction power during wet cleaning (ATTIX 961-01)	<ul style="list-style-type: none"> <li>&gt; Tank is full.</li> </ul>	<ul style="list-style-type: none"> <li>• Switch off the cleaner. Empty the tank.</li> </ul>
‡ Voltage fluctuations	<ul style="list-style-type: none"> <li>&gt; Impedance of power supply is too high.</li> </ul>	<ul style="list-style-type: none"> <li>• Connect the cleaner to another socket closer to the fuse box. Voltage fluctuations over 7% should not occur if the impedance at the transfer point is <math>\leq 0.15 \Omega</math>.</li> </ul>

## 9 Further information



### 9.1 Recycling the vacuum cleaner



1. Make the old cleaner unusable immediately.
2. Unplug the cleaner and cut the power cord.
3. Do not discard of electrical appliances with household waste.

As specified in European Directive 2002/96/EC on old electrical and electronic appliances, used electrical goods must be collected separately and recycled ecologically.

Contact your local authorities or your nearest dealer for further information.

### 9.2 Guarantee

Our general conditions of business are applicable with regard to the guarantee.

Subject to change as a result of technical advances.

### 9.3 Tests and approvals

Electrical tests must be performed in accordance with the provisions of safety regulations (VBG4) and to DIN VDE 0701 Part 1 and Part 3. In accordance with DIN VDE 0702 these tests must be performed at regular intervals and after repairs or modifications.

The vacuum cleaner has been approved in accordance with IEC/EN 60335-2-69.

### 9.4 EU Declaration of Conformity

CE	EU Declaration of Conformity
<b>Product:</b>	Vacuum cleaner for wet and dry operation
<b>Type:</b>	ATTIX 961-01 ATTIX 963-21 ED XC ATTIX 965-21 SD XC
<b>The design of the unit corresponds to the following pertinent regulations:</b>	Machine directive 2006/42/EC Directive EMC 2004/108/EC EC - RoHS Directive 2011/65/EC
<b>Applied harmonised standards:</b>	EN ISO 12100-1, EN ISO 12100-2 EN 60335-1, EN 60335-2-69, EN 55014-1, EN 55014-2, EN 61000-3-2
<b>Applied international standards and technical specifications:</b>	IEC 60335-2-69 (2009) IEC 60335-1
<b>Name and address of the person authorised to compile the technical file:</b>	Anton Sørensen General Manager, Technical Operations EAPC  Nilfisk-Advance A/S Sognevej 25 DK-2605 Brøndby
<b>Identity and signature of the person empowered to draw up the declaration on behalf of the manufacturer:</b>	 Anton Sørensen General Manager, Technical Operations EAPC  Nilfisk-Advance A/S Sognevej 25 DK-2605 Brøndby
<b>Place and date of the declaration:</b>	Hadsund, 2013-08-30



## 9.5 Technical data

ATTIX 9				
		961-01	965-21 SD XC	963-21 ED XC
Voltage	V	230 (EU,CH,GB) 110 (GB)	230 (DK,EU) 240 (AU)	230 (DK,EU) 110 (GB)
Mains frequency	Hz	50/60		
Fuse	A	10 (CH) 13 (GB 230V) 16 (EU) 32 (GB 110 V)	10 (DK, AU) 16 (EU)	10 (DK) 16 (EU) 32 (GB 110 V)
Power consumption <sub>IEC</sub>	W	2x1200 (EU,GB) 2x1000(CH, GB 110V)	2x1200 (EU) 2x1000(DK, AU)	2x1200 (EU) 2x1000(DK,GB)
Connected load for appliance socket	W		1200 (EU) 300 (DK) 400 (AU)	1200 (EU) 300 (DK) 750 (GB)
Total connected load	W	2400 (EU,GB) 2000 (CH, GB 110V)	3600 (EU) 2300 (DK) 2400 (AU)	3600 (EU) 2300 (DK) 2750 (GB)
Air flow rate	m <sup>3</sup> /h l/min	2x216 (EU,GB) / 2x174 (CH, GB 110V) 2x3600 (EU,GB) / 2x2900 (CH, GB 110V)	2x216 (EU) / 2x174 (DK, AU) 2x3600 (EU) / 2x2900 (DK, AU)	2x216 (EU) / 2x174 (DK, GB) 2x3600 (EU) / 2x2900 (DK, GB)
Vacuum	hPa/mbar kPa	230 (EU, GB) / 210 (DK, CH GB 110V) 23 (EU,GB) / 21 (DK, CH GB 110V, AU)		
Sound pressure level at a distance of 1 m, EN 60704-1	dB(A)	70 ± 2		
Working sound pressure level	dB(A)	67 ± 2		
Vibration ISO 5349	m/s <sup>2</sup>	≤ 2,5		
Power cord: Length	m	10 (EU, CH, GB, DK) 7,5 (AU)		
Power cord: Type		H07RN-F3G1,0 mm <sup>2</sup> (CH,DK) H07RN-F3G1,5 mm <sup>2</sup> (EU, GB 230 V) H07BQ-F3G2,5 mm <sup>2</sup> (GB 110 V) H05RR-F3G1,5mm <sup>2</sup> (AU)		
Protection class		I		
Type of protection (splash water protected)		IP X4		
Radio interference level		EN 55014-1		
Tank volume	l	70	50	30
Width	mm	610	640	620
Depth	mm	645	725	605
Height	mm	985	1020	1200
Weight	kg	36	42	30

## 9.6 Optional accessories

Description	Order No.
Filter bag (5 pcs.) ATTIX 961-01	302002892
Disposal bag (5 pcs.) ATTIX 965-21 SD XC	302001480
Disposal bag (24 pcs.) ATTIX 963-21 ED XC	302003723
Filter element	107400562
Cloth insert filter ATTIX 961-01, ATTIX 965-21 SD XC	302002894
Alto-Foam-Stop (6 x 1 l) ATTIX 961-01, ATTIX 965-21 SD XC	8469

# Nilfisk ALTO

works for you

## HEAD QUARTER

### DENMARK

Nilfisk-Advance A/S  
Sognevej 25  
DK-2605 Brøndby  
Tel.: (+45) 4323 8100  
www.nilfisk-advance.com

## SALES COMPANIES

### ARGENTINA

Nilfisk-Advance srl.  
Herrera 1855, 6 floor, Of. A-604  
ZC 1293 – Ciudad Autónoma  
de Buenos Aires – Argentina  
www.nilfisk-alto.com

### AUSTRALIA

Nilfisk-ALTO  
Unit 1, 13 Bessemer Street Blacktown  
NSW 2148 Australia  
www.nilfisk-alto.com.au

### AUSTRIA

Nilfisk-ALTO  
Geschäftsbereich der Nilfisk-Advance GmbH  
Metzgerstraße 68  
A-5101 Bergheim/Salzburg  
www.nilfisk-alto.at

### BELGIUM

Nilfisk-Advance NV/SA  
Riverside Business Park  
Boulevard Internationaaleaan 55  
Bâtiment C3/C4 Gebouw  
Bruxelles 1070 Brussel  
www.nilfisk.be

### CHILE

Nilfisk-Advance S.A.  
San Alfonso 1462, Santiago  
www.nilfisk.com

### CHINA

Nilfisk-Advance Cleaning Equipment  
(Shanghai) Co Ltd.  
No. 4189, Yindu Road  
Xinzhuang Industrial Park  
Shanghai 201108  
www.nilfisk.cn

### CZECH REPUBLIC

Nilfisk-Advance s.r.o.  
Do Certous 1  
VGP Park Horní Pocerence, Budova H2  
CZ-190 00 Praha 9  
www.nilfisk.cz

### DENMARK

Nilfisk-ALTO Danmark  
Industrivej 1  
Hadsund, DK-9560  
www.nilfisk-alto.dk

### FINLAND

Nilfisk-Advance OY Ab  
Koskelontie 23E  
Espoo, FI-02920  
www.nilfisk.fi

### FRANCE

Nilfisk-Advance SAS  
Division ALTO  
BP 246  
91944 Courtaboeuf Cedex  
www.alto-fr.com

### GERMANY

Nilfisk-ALTO  
eine Marke der Nilfisk-Advance GmbH  
Guido-Oberdorfer-Straße 2-10  
89287 Bellenberg  
www.nilfisk-alto.de

### GREECE

Nilfisk-Advance A.E.  
8, Thoukididou Str.  
Argiroupoli, Athens, GR-164 52  
www.nilfisk.gr

### HOLLAND

Nilfisk-Advance B.V.  
Versterkerstraat 5  
1322 AN ALMERE  
www.nilfisk.nl

### HONG KONG

Nilfisk-Advance Ltd.  
2001 HK Worsted Mills Ind'l Bldg.  
31-39 Wo Tong Tsui St.  
Hong Kong, Kwai Chung, N.T.  
www.nilfisk.com

### HUNGARY

Nilfisk-Advance Kereskedelmi Kft.  
H-2310 Szigetszentmiklós-Lakihegy  
II. Rákóczi Ferenc út 10.  
www.nilfisk.hu

### INDIA

Nilfisk-Advance India Limited  
Pramukh Plaza, 'B' Wing, 4th floor, Unit No. 403  
Cardinal Gracious Road, Chakala  
Andheri (East), Mumbai 400 099  
www.nilfisk.com

### IRELAND

Nilfisk-Advance  
1 Stokes Place  
St. Stephen's Green  
Dublin 2, Ireland  
www.nilfisk-alto.ie

### ITALY

Nilfisk-Advance S.p.A.  
Strada Comunale Della Braglia, 18  
Guardamiglio, Lombardia, I-26862  
www.nilfisk.it

### JAPAN

Nilfisk-Advance Inc.  
1-6-6 Kita-Shinyokohama  
Kouhoku-Ku  
Yokohama 223-0059  
www.nilfisk-advance.co.jp

### KOREA

Nilfisk-Advance Korea  
471-4, Kumwon B/D 2F,  
Gunja-Dong, Gwangjin-Gu, Seoul  
www.nilfisk-advance.kr

### MALAYSIA

Nilfisk-Advance Sdn Bhd  
SD 33, Jalan KIP 10  
Taman Perindustrian KIP  
Sri Damansara  
52200 Kuala Lumpur  
Malaysia  
www.nilfisk.com

### MEXICO

Nilfisk Advance de Mexico S. de R.L. de C.V.  
Agustin M. Chavez 1, PB-004  
Col. Centro Ciudad Santa Fe  
C.P. 01210 México, D.F.  
www.nilfisk-advance.com.mx

### NEW ZEALAND

Nilfisk-Advance NZ Ltd  
Danish House  
6 Rockridge Avenue  
Penrose Auckland NZ 1135  
www.nilfisk.com.au

### NORWAY

Nilfisk-Advance AS  
Bjørnerudvejen 24  
Oslo, N-1266  
www.nilfisk-alto.no

### PERU

Nilfisk-Advance S.A.C.  
Calle Boulevard 162, Of. 703, Lima 33- Perú  
Lima  
www.nilfisk.com

### POLAND

Nilfisk-Advance Sp. z o.o  
ul. 3-go Maja 8, Bud. B4  
Pruszków, PL-05-800  
www.nilfisk-alto.pl

### PORTUGAL

Nilfisk-Advance, Lda.  
Sintra Business Park  
Zona Industrial Da Abrunheira  
Edifício 1, 1o A  
Sintra, P-2710-089  
www.nilfisk.pt

### RUSSIA

Nilfisk-Advance LLC  
Vyatskaya str. 27, bld. 7, 1st floor  
Moscow, 127015  
www.nilfisk.ru

### SOUTH AFRICA

WAP South Africa (Pty) Ltd  
12 Newton Street  
1620 Spartan, Kempton Park  
www.wap.co.za

### SINGAPORE

Den-Sin  
22 Tuas Avenue 2  
Singapore  
www.nilfisk.com

### SPAIN

Nilfisk-Advance, S.A.  
Torre D'Ara  
Passeig del Rengle, 5 Plta.10ª  
Mataró, E-0830222  
www.nilfisk.es

### SWEDEN

Nilfisk-Advance AB  
Taljegårdsgatan 4  
431 53 Mölndal  
Website: www.nilfisk-alto.se

### SWITZERLAND

NA Sondergger AG  
Nilfisk-ALTO Generalvertretung  
Mühlestrasse 10  
CH-9100 Herisau  
www.nilfisk-alto.ch

### TAIWAN

Nilfisk-Advance Ltd.  
Taiwan Branch (H.K.)  
No. 5, Wan Fang Road, Taipei  
www.nilfisk-advance.com.tw

### THAILAND

Nilfisk-Advance Co. Ltd.  
89 Soi Chokechai-Ruammitr  
Viphavadee-Rangsit Road  
Jomphol, Jatuchak  
Bangkok 10900  
www.nilfisk.com

### TURKEY

Nilfisk-Advance Prof. Tem. Ek. Tic. A.S.  
Şerifali Mh. Bayraktar Bulv. Sehitt Sk. No:7  
Umraniye, İstanbul 34775  
www.nilfisk.com.tr

### UNITED KINGDOM

Nilfisk-ALTO  
Bowerbank Way, Gilwilly Industrial Estate  
Penrith, Cumbria  
GB-CA11 9BQ  
www.nilfisk-alto.co.uk

### UNITED ARAB EMIRATES

Nilfisk-Advance Middle East Branch  
SAIF-Zone, P. O. Box 122298  
Sharjah  
www.nilfisk.com

### USA

Nilfisk-Advance  
14600 21st Ave. North  
Plymouth MN 55447-3408  
www.nilfisk-alto.us

Nilfisk-Advance, Inc.

Industrial Vacuum Division  
740 Hemlock Road, Suite 100  
Morgantown, PA 19543  
www.nilfisk-alto.us

### VIETNAM

Nilfisk-Advance Co., Ltd.  
No.51 Doc Ngu Str. Lieu Giai Ward  
Ba Dinh Dist. Hanoi  
www.nilfisk.com