



DrySan™ Oxy RTU

Highly effective, ready to use no-rinse cleaner & disinfectant spray.

Based on Hi-speed H₂O₂™ Technology, fragrance-free formula compatible with a wide range of surfaces.

Performance matters...

- Innovative H₂O₂ formulation which covers a broad efficacy spectrum
- Destroys odors, degreases and delimes
- Short contact times
- Convenient and fast in use
- Saves time: disinfects & cleans in one step
- Excellent material compatibility and cleaning performance
- No rinse required
- Convenient ready-to-use spray

Safety matters...

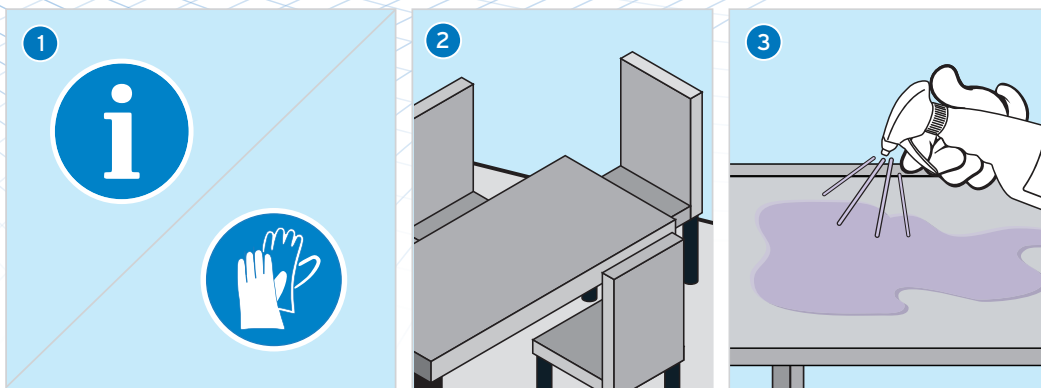
- Based on Hi-speed H₂O₂™ Technology
- Active ingredients decompose into water and oxygen when used
- Workplace safety: No PPE required

Sustainability matters...

- Making a positive environmental impact
- 100% solvent, quat, phenol and chlorine free formula

One bottle of DrySan
Oxy cleans and disinfects
up to 200m²

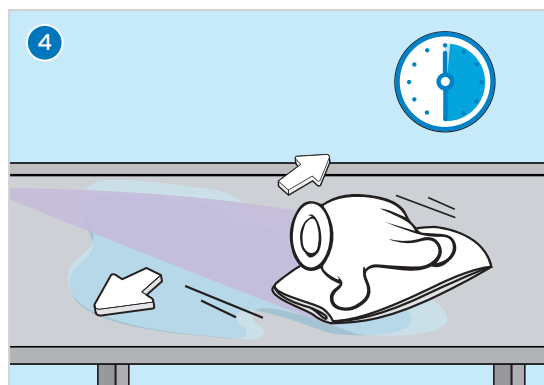




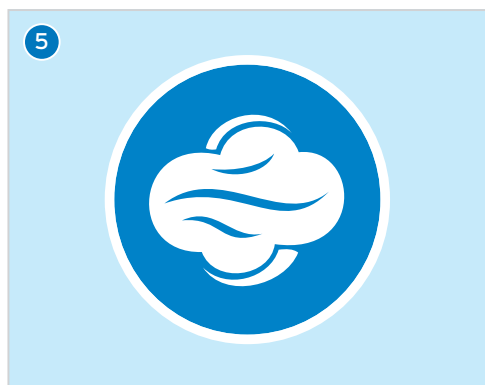
1. Check hygiene plan for detailed use information. Unplug all electric equipment before cleaning. Gloves recommended for hygiene reasons.

2. Cleaning and disinfection for a wide range of surfaces: tables, chairs etc.

3. Spray DrySan Oxy from 30cm distance to clean the surface.



4. Wipe the surface ensuring it is completely wet. Allow the product to work for the indicated contact time to disinfect the surface.



5. No rinse required. Allow to air dry.

European standard (clean and dirty conditions)	Contact time
EN 13727 (bactericidal)	1 Min.
EN 13624 (yeaticidal)	15 Min.
EN 13624 (fungicidal)	15 Min.
EN 14348 (tuberculocidal, mycobaktericidal)	30 Min.
EN 14476 (Adenovirus) dirty and clean conditions	1 Min.
EN 14476 (Norovirus) dirty conditions	60 Min.
European standard 4-field-test (dirty conditions)	
EN 16615 (bactericidal)	5 Min.
EN 16615 (yeasticidal)	1 Min.
EN 16615 (fungicidal)	5 Min.
EN 16615 (tuberculocidal, mycobaktericidal)	60 Min.

NOTES

- Do not use on surfaces sensitive to oxidative agents such as marble, copper or brass
- Active substance: 100 g contains 1 g hydrogen peroxide
- (CAS 7722-84-1)

SAFETY

- Use biocides safely.
- For professional use only.
- Always read the product information before use. For further information and safety instructions see safety data sheet.
- Do not mix with any other product!
- Dispose of packaging only if emptied and closed.

STORAGE CONDITIONS:

Product should be stored in original closed container between 5°C and 25°C in a cool, dry location out of direct sunlight.

PACKSIZE

DrySan Oxy 12 x 1l

Worldwide Headquarters
Ecolab Inc.
1 Ecolab Place,
St. Paul, MN 55102

European Headquarters
Ecolab Europe GmbH
Richtistr. 7
CH-8304 Wallisellen
Regional Office

Ecolab Ltd PO Box 11, Winnington Avenue
Northwich, Cheshire CW8 4DX
Phone +44 1606 74488
+353 1276 3500

www.ecolab.com

© 2018 Ecolab USA Inc. All rights reserved.

ECOLAB[®]